

# 3218

27mm, 3/4 Extension  
Ball Bearing Slides  
-One Way Travel



## Specifications

- **Length:** 300mm to 380mm (12" to 15")
- **Profile:** 27mm x 9.7mm
- **Travel:** 3/4 Extension
- **Side Space:** 9.7mm (+0.5mm-0mm)
- **Height:** 27mm (1.06")
- **Max. Loading:** 15 kg (33 lb)
- **Mount:** Bottom Mount
- **Disconnect:** Non-Disconnect
- **Finish:** Clear Zinc or Black
- **Material:** Cold Rolled Steel

## Packing

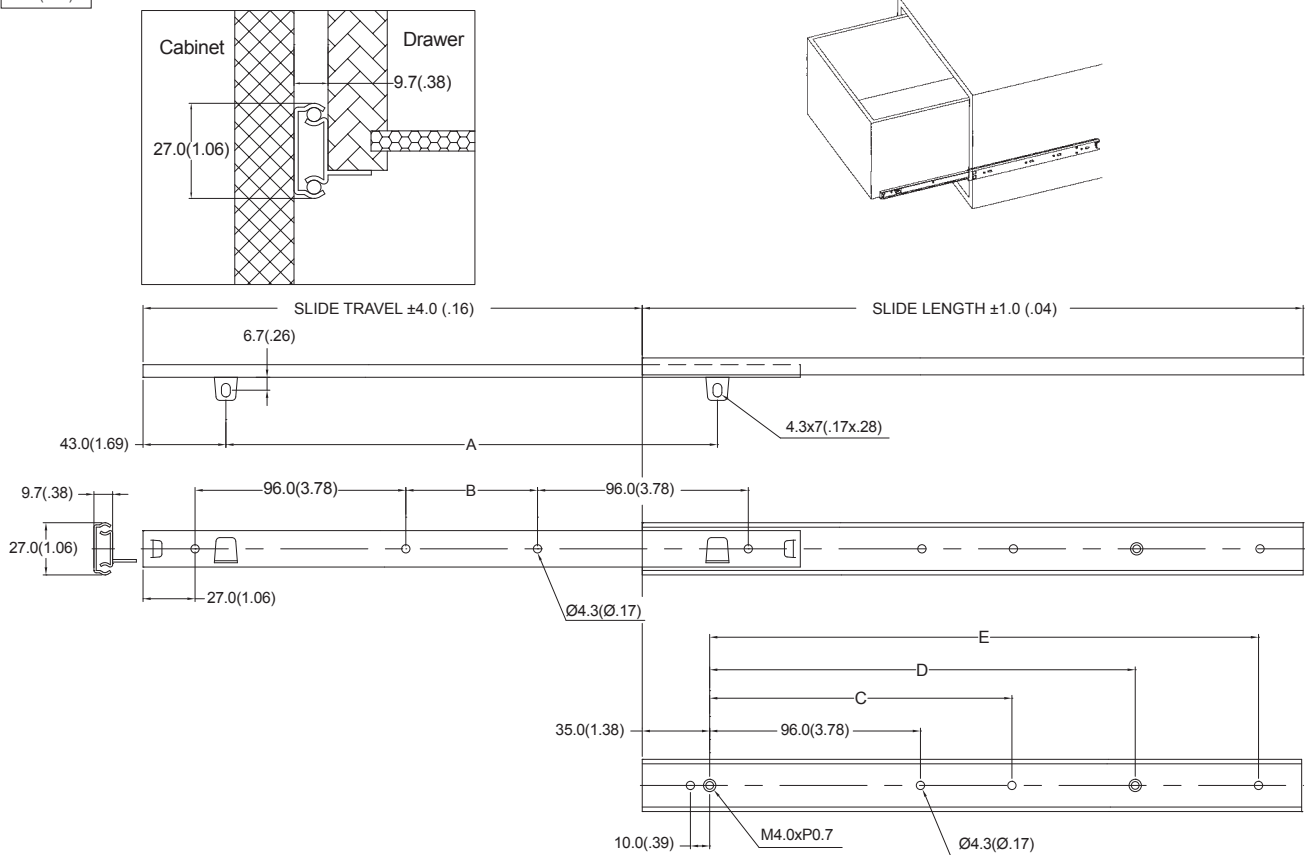
- Unit Packed in 40 pairs/carton
- Bulk Packed in 80 pairs/carton

## Applications

- Keyboard and Pencil Drawers

## Dimension Specifications

mm (inch)



**Note:** Holes other than those shown may be in the slide member at King Slide's option and may change without notice.

Item No.	Slide Length mm (inch)	Slide Travel mm (inch)	Loading Capacity kg (lb) / pair	Holes Position mm (inch)				
				A	B	C	D	E
3218-300	300.0 (11.81)	211.0 (8.31)	15.0 (33.0)	213.0 (8.39)	53.0 (2.09)	—	192.0 (7.56)	224.0 (8.82)
3218-350	350.0 (13.78)	261.0 (10.28)	12.0 (26.0)	263.0 (10.35)	103.0 (4.06)	192.0 (7.56)	256.0 (10.08)	288.0 (11.34)
3218-380	380.0 (14.96)	291.0 (11.46)	10.0 (22.0)	293.0 (11.54)	133.0 (5.24)	192.0 (7.56)	256.0 (10.08)	288.0 (11.34)

# 3220

27mm, 3/4 Extension  
Ball Bearing Slides  
-Two Way Travel



## Specifications

- **Length:** 317mm to 381mm (12" to 15")
- **Profile:** 27mm x 9.7mm
- **Travel:** 3/4 Extension
- **Side Space:** 9.7mm (+0.5mm-0mm)
- **Height:** 27mm (1.06")
- **Max. Loading:** 15 kg (33 lb)
- **Mount:** Bottom Mount
- **Disconnect:** Bayonet Non-Disconnect
- **Finish:** Clear Zinc or Black
- **Material:** Cold Rolled Steel
- **Features:** Two Way Travel

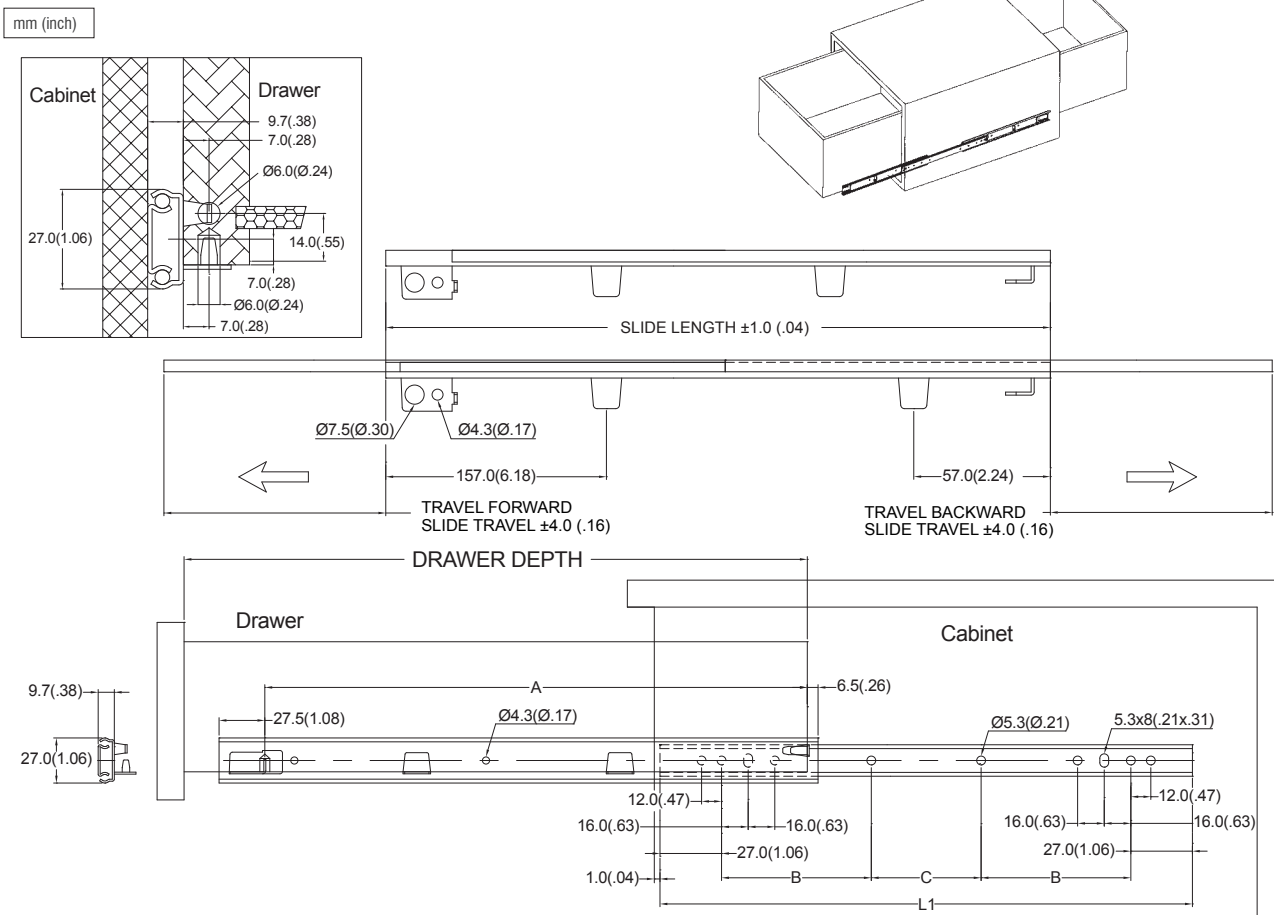
## Packing

- Unit Packed in 40 pairs/carton
- Bulk Packed in 80 pairs/carton

## Applications

- Keyboard and Pencil Drawers, Office Drawers and Showcases

## Dimension Specifications



Note: Holes other than those shown may be in the slide member at King Slide's option and may change without notice.

Item No.	Slide Length mm (inch)	Slide Travel mm (inch)	Drawer Depth mm (inch)	Loading Capacity kg (lb) / pair	Holes Position mm (inch)			
					L1	A	B	C
3220-317	317.0 (12.48)	223.0 (8.78)	310.0–457.0 (12.20–17.99)	15.0 (33.0)	278.0 (10.94)	283.0 (11.14)	64.0 (2.52)	96.0 (3.78)
3220-349	349.0 (13.74)	255.0 (10.04)	342.0–521.0 (13.46–20.51)	12.0 (26.0)	310.0 (12.20)	315.0 (12.40)	96.0 (3.78)	64.0 (2.52)
3220-381	381.0 (15.00)	287.0 (11.30)	374.0–585.0 (14.72–23.03)	10.0 (22.0)	342.0 (13.46)	347.0 (13.66)	96.0 (3.78)	96.0 (3.78)

# 3230

## 27mm, 3/4 Extension Ball Bearing Slides -with Soft Outstop



### Specifications

- **Length:** 300mm to 380mm (12" to 15")
- **Profile:** 27mm x 9.7mm
- **Travel:** 3/4 Extension
- **Side Space:** 9.7mm (+0.5mm-0mm)
- **Height:** 27mm (1.06")
- **Max. Loading:** 15 kg (33 lb)
- **Mount:** Side Mount
- **Disconnect:** Clip Disconnect
- **Finish:** Clear Zinc or Black
- **Material:** Cold Rolled Steel
- **Features:** Soft Outstop

### Packing

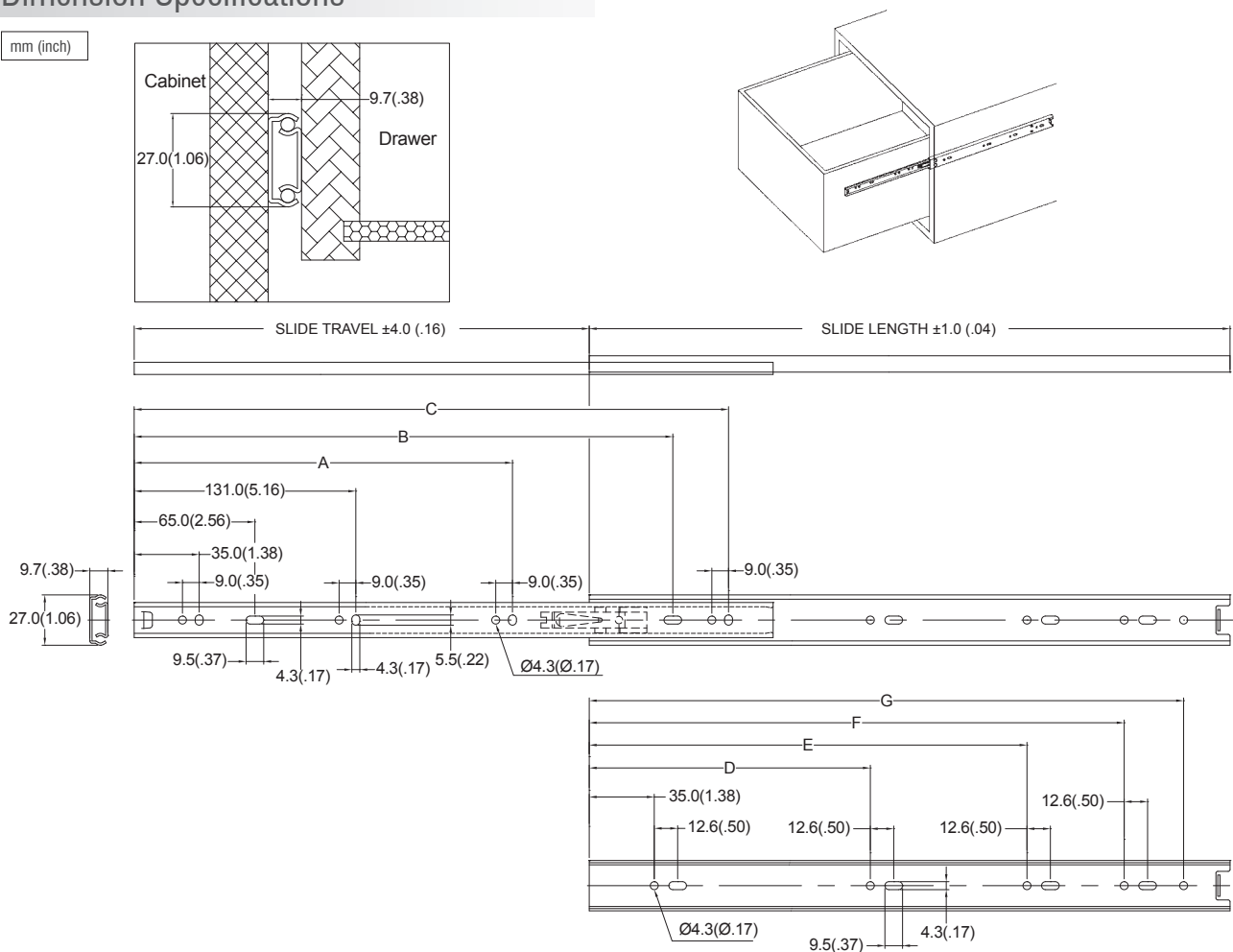
- Unit Packed in 40 pairs/carton
- Bulk Packed in 80 pcs/carton

### Applications

- Keyboard and Pencil Drawers

### Dimension Specifications

mm (inch)



Note: Holes other than those shown may be in the slide member at King Slide's option and may change without notice.

Item No.	Slide Length mm (inch)	Slide Travel mm (inch)	Loading Capacity kg (lb) / pair	Holes Position mm (inch)						
				A	B	C	D	E	F	G
3230-300	300.0 (11.81)	200.0 (7.87)	15.0 (33.0)	163.0 (6.42)	259.0 (10.20)	291.0 (11.46)	131.0 (5.16)	195.0 (7.68)	259.0 (10.20)	—
3230-350	350.0 (13.78)	250.0 (9.84)	12.0 (26.0)	195.0 (7.68)	293.0 (11.54)	323.0 (12.72)	163.0 (6.42)	259.0 (10.20)	310.0 (12.20)	—
3230-380	380.0 (14.96)	280.0 (11.02)	10.0 (22.0)	227.0 (8.94)	325.0 (12.80)	355.0 (13.98)	163.0 (6.42)	259.0 (10.20)	323.0 (12.72)	355.0 (13.98)

# 3232

## 27mm, 3/4 Extension Ball Bearing Slides -with Soft Outstop



4

Ball Bearing Slides

### Specifications

- **Length:** 300mm to 380mm (12" to 15")
- **Profile:** 27mm x 9.7mm
- **Travel:** 3/4 Extension
- **Side Space:** 9.7mm (+0.5mm-0mm)
- **Height:** 27mm (1.06")
- **Max. Loading:** 15 kg (33 lb)
- **Mount:** Bottom Mount
- **Disconnect:** Clip Disconnect
- **Finish:** Clear Zinc or Black
- **Material:** Cold Rolled Steel
- **Features:** Soft Outstop

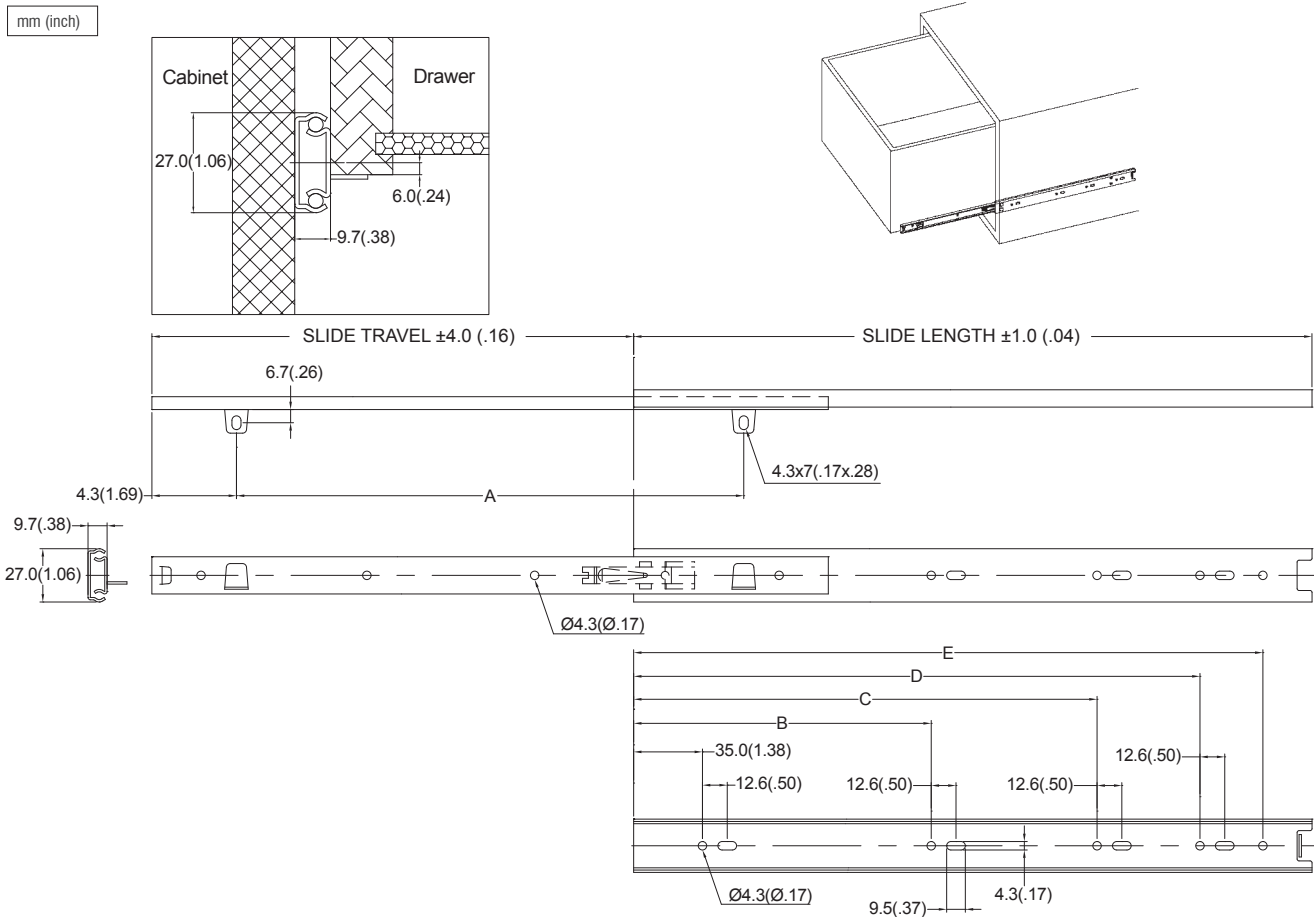
### Packing

- Unit Packed in 40 pairs/carton

### Applications

- Keyboard and Pencil Drawers

### Dimension Specifications



**Note:** Holes other than those shown may be in the slide member at King Slide's option and may change without notice.

Item No.	Slide Length mm (inch)	Slide Travel mm (inch)	Loading Capacity kg (lb) / pair	Holes Position mm (inch)				
				A	B	C	D	E
3232-300	300.0 (11.81)	200.0 (7.87)	15.0 (33.0)	213.0 (8.39)	131.0 (5.16)	195 (7.68)	259.0 (10.20)	—
3232-350	350.0 (13.78)	250.0 (9.84)	12.0 (26.0)	263.0 (10.35)	163.0 (6.42)	259.0 (10.20)	310.0 (12.20)	—
3232-380	380.0 (14.96)	280.0 (11.02)	10.0 (22.0)	293.0 (11.54)	163.0 (6.42)	259.0 (10.20)	323.0 (12.72)	355.0 (13.98)

# 3233 3/4 Extension Ball Bearing Slides Under Shelf or Under Counter Slide



## Specifications

- **Length:** 350mm to 380mm (14" to 15")
- **Profile:** 27mm x 12mm
- **Travel:** 3/4 Extension
- **Side Space:** 12.0mm (Inboard Mounting)  
36.7mm (Outboard Mounting)
- **Height:** 27mm (1.06")
- **Max. Loading:** 11 kg (25 lb)
- **Mount:** Under Shelf for Cabinet Member  
Side Mount for Drawer Member
- **Disconnect:** Clip Disconnect
- **Finish:** Clear Zinc or Black
- **Material:** Cold Rolled Steel
- **Features:** Soft Outstop

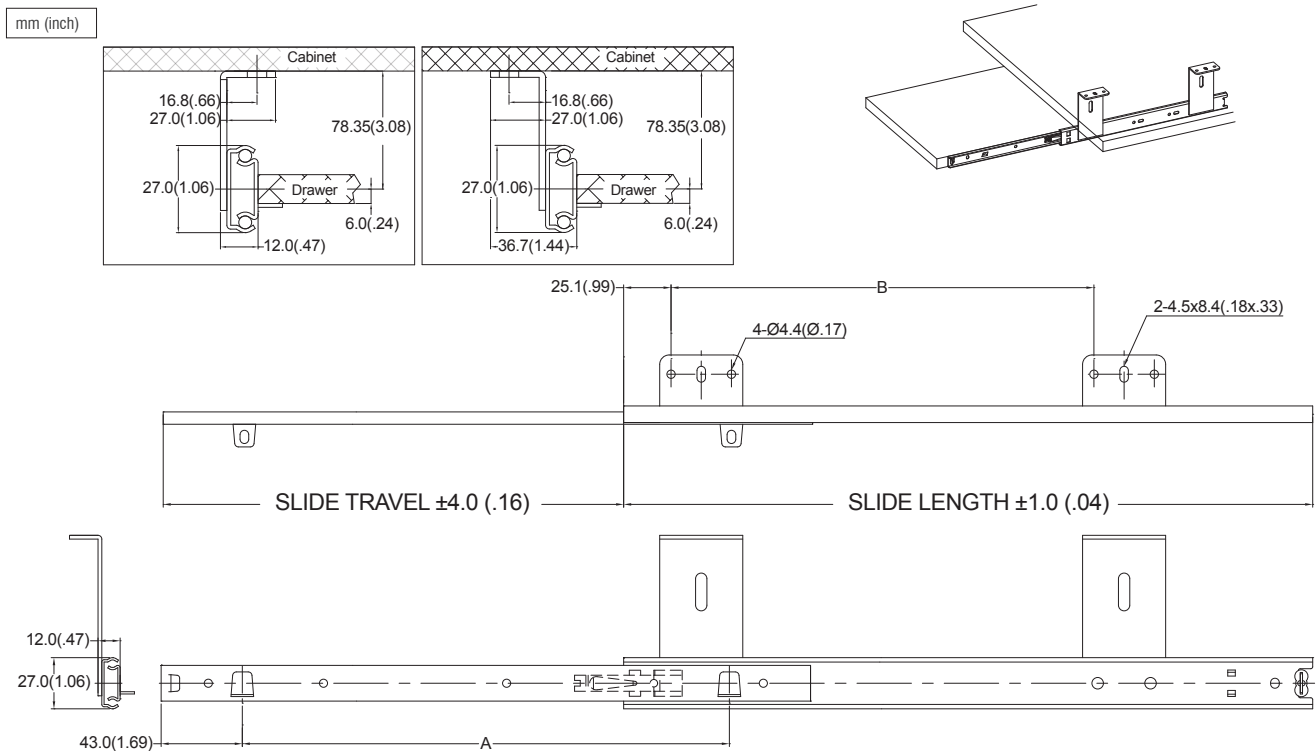
## Packing

- Unit Packed in 15 pairs/carton
- Bulk Packed in 30 pcs/carton

## Applications

- Keyboard and Pencil Drawers

## Dimension Specifications



Note: Holes other than those shown may be in the slide member at King Slide's option and may change without notice.

Item No.	Slide Length mm (inch)	Slide Travel mm (inch)	Loading Capacity kg (lb) / pair	Holes Position mm (inch)	
				A	B
3233-350S	350.0 (13.78)	200.0 (7.87)	11.0 (25.0)	263.0 (10.35)	224.0 (8.82)
3233-380C	380.0 (14.96)	280.0 (11.02)	10.0 (22.0)	293.0 (11.54)	204.0 (8.03)
3233-380E	380.0 (14.96)	280.0 (11.02)	10.0 (22.0)	150.0 (5.91)	204.0 (8.03)

**Note**  
**3233-350S:** Standard  
**3231-380C:** Outboard Mounting Bracket (Height 85mm)  
**3231-380E:** Inboard Mounting Bracket (Height 85mm)

King Slide reserves the right to alter specifications of all the products without notice. If the entity is different from the illustration, please refer to the entity.

# 3301 Full Extension Ball Bearing Slide -Standard Type



## Specifications

- **Length:** 250mm to 900mm (10" to 39")
- **Profile:** 45mm x 12.7mm
- **Travel:** Full Extension
- **Side Space:** 12.7mm (+0.5mm-0mm)
- **Height:** 45mm (1.77")
- **Max. Loading:** 45 kg (100 lb)
- **Mount:** Side Mount
- **Disconnect:** Lever Disconnect
- **Finish:** Clear Zinc or Black
- **Material:** Cold Rolled Steel

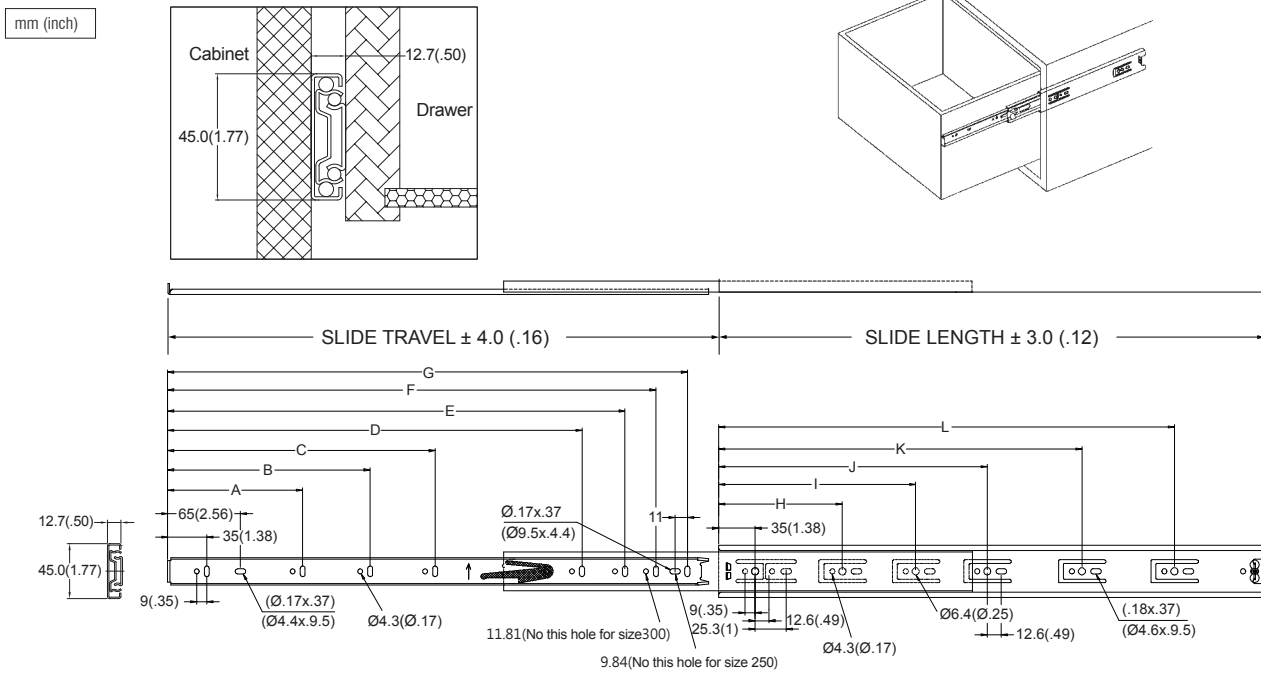
## Packing

- Unit Packed in 15 pairs/carton
- Bulk Packed in 40 pcs/carton for cabinet member 100 pcs/carton for drawer member

## Applications

Home Cabinets, Box Drawers, Desk and Storage Drawers and file Drawers

## Dimension Specifications



**Note:** Holes other than those shown may be in the slide member at King Slide's option and may change without notice.

Item No.	Slide Length mm (inch)	Slide Travel mm (inch)	Loading Capacity kg (lb) / pair	Holes Position mm (inch)											
				A	B	C	D	E	F	G	H	I	J	K	L
3301-200	195.0 (7.67)	225 (8.85)	—	—	—	—	—	—	—	—	—	—	—	—	—
3301-250	250.0 (9.84)	250.0 (9.84)	23.0 (50.0)	131 (5.16)	—	—	—	—	—	227 (8.94)	—	—	—	—	195 (7.68)
3301-300	300.0 (11.81)	305.0 (12.00)	27.0 (60.0)	163 (6.42)	—	—	—	—	255 (10.04)	277 (10.91)	163 (6.42)	—	—	—	259 (10.20)
3301-350	350.0 (13.78)	351.0 (13.82)	34.0 (75.0)	163 (6.42)	—	—	—	—	305 (12.01)	327 (12.87)	163 (6.42)	—	—	—	259 (10.20)
3301-400	400.0 (15.75)	403.0 (15.87)	45.0 (100.0)	163 (6.42)	—	—	—	—	355 (1.98)	377 (14.84)	163 (6.42)	259 (10.20)	—	—	355 (13.98)
3301-450	450.0 (17.72)	452.0 (17.80)	45.0 (100.0)	163 (6.42)	—	355 (13.98)	—	—	405 (15.95)	427 (16.81)	163 (6.42)	259 (10.20)	—	—	387 (15.24)
3301-500	500.0 (19.69)	509.0 (20.04)	45.0 (100.0)	163 (6.42)	259 (10.20)	355 (13.98)	—	—	451 (17.75)	477 (18.78)	163 (6.42)	259 (10.20)	—	—	451 (17.76)
3301-550	550.0 (21.65)	563.0 (22.17)	45.0 (100.0)	163 (6.42)	259 (10.20)	451 (17.75)	—	—	505 (19.88)	527 (20.75)	163 (6.42)	259 (10.20)	387 (15.24)	—	483 (19.02)
3301-600	600.0 (23.62)	605.0 (23.83)	39.0 (85.0)	163 (6.42)	259 (10.20)	451 (17.75)	—	—	555 (21.85)	577 (22.72)	163 (6.42)	259 (10.20)	387 (15.24)	—	515 (20.28)
3301-650	650.0 (25.59)	656.0 (25.83)	32.0 (70.0)	163 (6.42)	259 (10.20)	451 (17.75)	579 (22.80)	—	605 (23.82)	627 (24.69)	163 (6.42)	259 (10.20)	387 (15.24)	—	579 (22.80)
3301-700	700.0 (27.56)	707.0 (27.83)	27.0 (60.0)	163 (6.42)	259 (10.20)	451 (17.75)	579 (22.80)	—	655 (25.79)	677 (26.65)	163 (6.42)	259 (10.20)	387 (15.24)	—	579 (22.80)
3301-750	750.0 (29.53)	757.0 (29.80)	22.0 (48.0)	163 (6.42)	259 (10.20)	355 (13.98)	579 (22.80)	—	705 (27.76)	727 (28.62)	163 (6.42)	259 (10.20)	387 (15.24)	—	579 (22.80)
3301-800	800.0 (31.50)	805.0 (31.69)	18.0 (39.0)	163 (6.42)	259 (10.20)	355 (13.98)	579 (22.80)	—	755 (29.73)	777 (30.59)	163 (6.42)	259 (10.20)	387 (15.24)	579 (22.80)	707 (27.83)
3301-900	900.0 (35.43)	999.0 (39.33)	18.0 (39.0)	163 (6.42)	259 (10.20)	387 (15.24)	611 (24.06)	739 (29.09)	855 (33.66)	877 (34.53)	163 (6.42)	259 (10.20)	387 (15.24)	579 (22.80)	771 (30.35)



# 3304 Full Extension Ball Bearing Slide for Wire Basket

## Specifications

- **Length:** 400mm to 450mm (16" to 18")
- **Profile:** 45mm x 34.5mm
- **Travel:** Full Extension
- **Side Space:** 34.5mm (+0.5mm-0mm)
- **Height:** 45mm (1.77")
- **Max. Loading:** 34 kg (75 lb)
- **Mount:** Side Mount
- **Disconnect:** Lever Disconnect
- **Finish:** Clear Zinc or Black
- **Material:** Cold Rolled Steel

## Packing

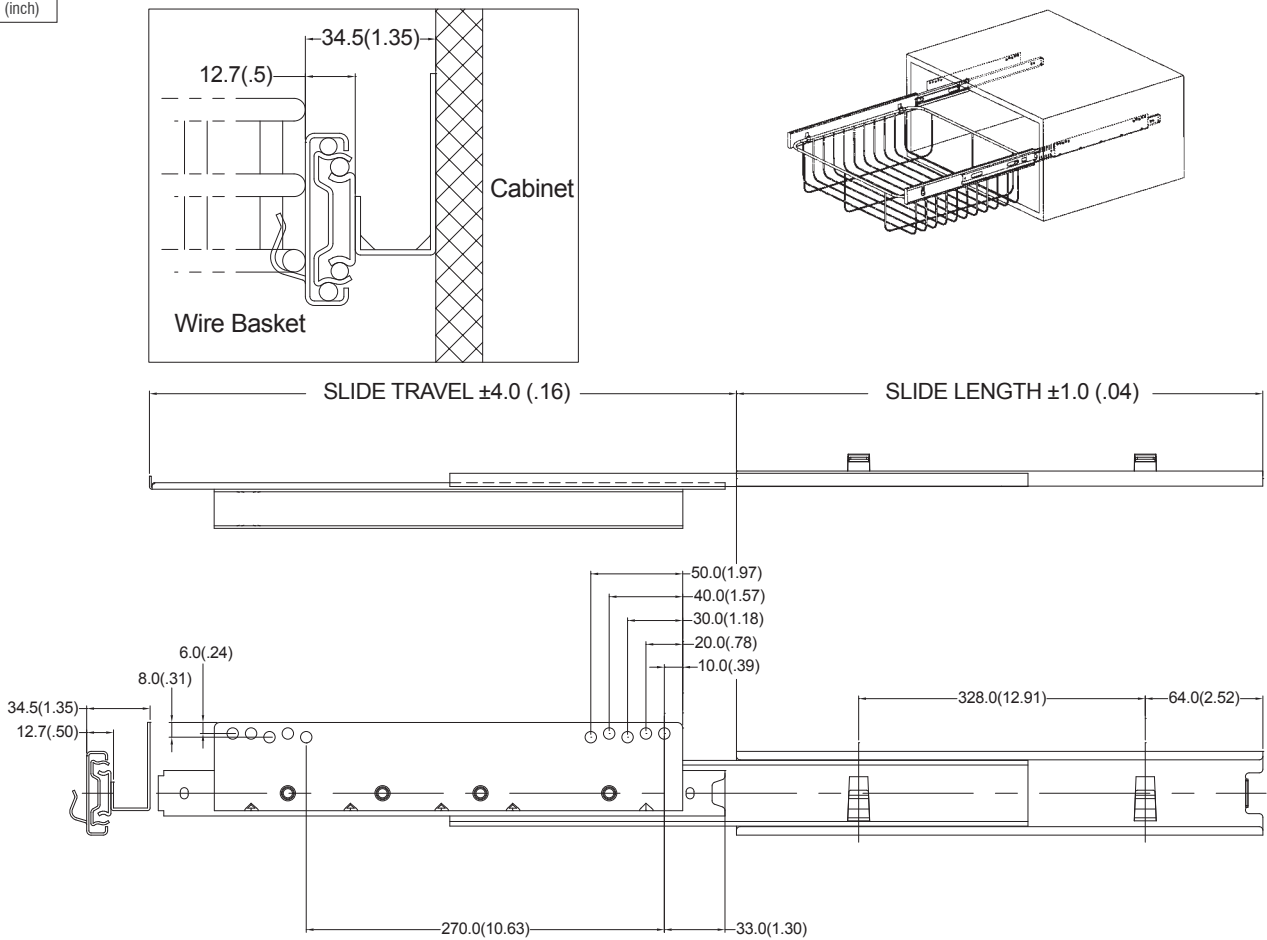
- Unit Packed in 6 pairs/carton

## Applications

- Wire Basket Drawers for Kitchen and Furniture

## Dimension Specifications

mm (inch)



**Note:** Holes other than those shown may be in the slide member at King Slide's option and may change without notice.

Item No.	Slide Length mm (inch)	Slide Travel mm (inch)	Loading Capacity kg (lb) / pair
3304-400	400.0 (15.75)	403.0 (15.87)	34.0 (75.0)
3304-450	450.0 (17.72)	452.0 (17.80)	34.0 (75.0)

# 3306 Full Extension Ball Bearing Slide -Bottom Mount



4

Ball Bearing Slides

## Specifications

- **Length:** 250mm to 800mm (10" to 32")
- **Profile:** 45mm x 12.7mm
- **Travel:** Full Extension
- **Side Space:** 12.7mm (+0.5mm-0mm)
- **Height:** 45mm (1.77")
- **Max. Loading:** 45 kg (100 lb)
- **Mount:** Bottom Mount
- **Disconnect:** Lever Disconnect
- **Finish:** Clear Zinc or Black
- **Material:** Cold Rolled Steel

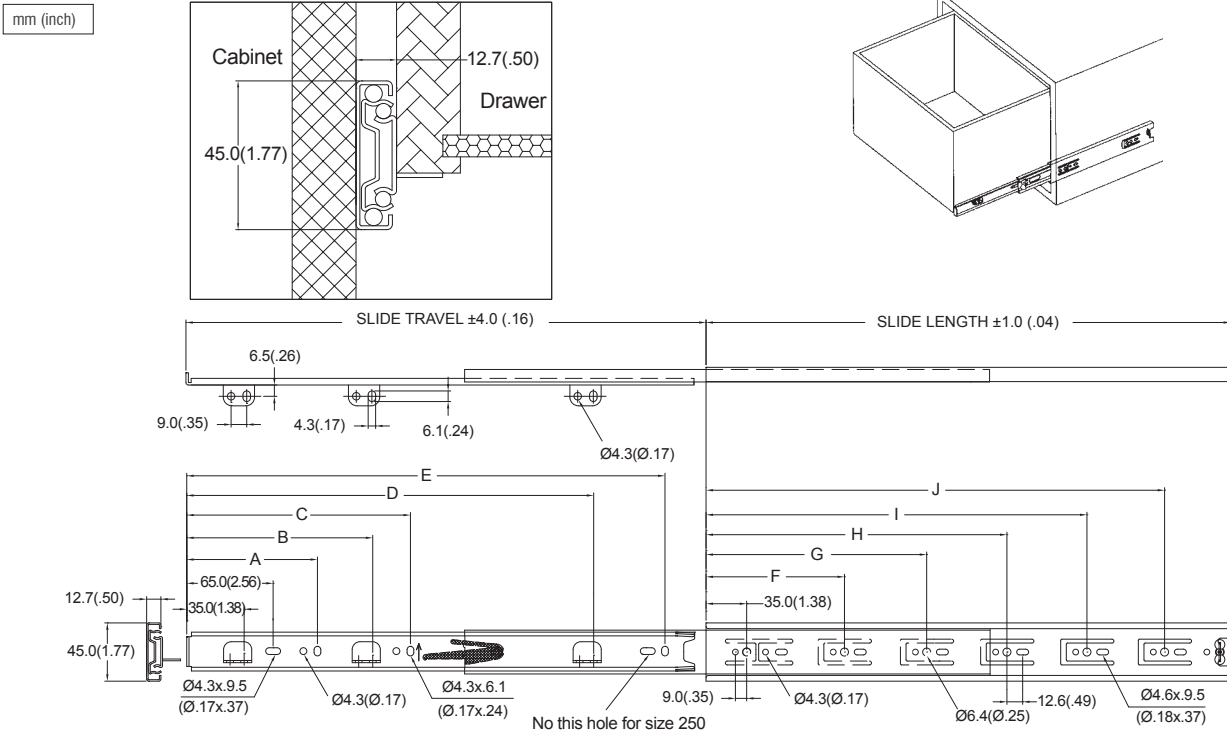
## Packing

- Unit Packed in 12 pairs/carton

## Applications

- Keyboard and Home Cabinets, Box Drawers, Desk and Storage Drawers and File Drawers

## Dimension Specifications



Note: Holes other than those shown may be in the slide member at King Slide's option and may change without notice.

Item No.	Slide Length mm (inch)	Slide Travel mm (inch)	Loading Capacity kg (lb) / pair	Holes Position mm (inch)										
				A	B	C	D	E	F	G	H	I	J	
3306-250	250.0 (9.84)	250.0 (9.84)	23.0 (50.0)	—	131.0 (5.16)	—	—	227.0 (8.94)	—	—	—	—	—	195.0 (7.68)
3306-300	300.0 (11.81)	305.0 (12.01)	27.0 (60.0)	—	163.0 (6.42)	—	227.0 (10.91)	—	163.0 (6.42)	—	—	—	—	259.0 (10.20)
3306-350	350.0 (13.78)	351.0 (13.82)	34.0 (75.0)	—	163.0 (6.42)	—	327.0 (12.87)	—	163.0 (6.42)	—	—	—	—	259.0 (10.20)
3306-400	400.0 (15.75)	403.0 (15.87)	45.0 (100.0)	—	163.0 (6.42)	—	355.0 (13.98)	377.0 (14.84)	163.0 (6.42)	259.0 (10.20)	—	—	—	355.0 (13.98)
3306-450	450.0 (17.72)	452.0 (17.80)	45.0 (100.0)	—	163.0 (6.42)	—	355.0 (13.98)	427.0 (16.81)	163.0 (6.42)	259.0 (10.20)	—	—	—	387.0 (15.24)
3306-500	500.0 (19.69)	509.0 (20.04)	45.0 (100.0)	163.0 (6.42)	259.0 (10.20)	355.0 (13.98)	451.0 (17.75)	477.0 (18.78)	163.0 (6.42)	259.0 (10.20)	—	—	—	451.0 (17.76)
3306-550	550.0 (21.65)	563.0 (22.17)	45.0 (100.0)	163.0 (6.42)	259.0 (10.20)	—	451.0 (17.75)	527.0 (20.75)	163.0 (6.42)	259.0 (10.20)	387.0 (15.24)	—	—	483.0 (19.02)
3306-600	600.0 (23.62)	605.0 (23.83)	39.0 (85.0)	163.0 (6.42)	259.0 (10.20)	—	451.0 (17.75)	577.0 (22.72)	163.0 (6.42)	259.0 (10.20)	387.0 (15.24)	—	—	515.0 (20.28)
3306-650	650.0 (25.59)	656.0 (25.83)	32.0 (70.0)	163.0 (6.42)	259.0 (10.20)	451.0 (17.76)	579.0 (22.80)	627.0 (24.69)	163.0 (6.42)	259.0 (10.20)	387.0 (15.24)	—	—	579.0 (22.80)
3306-700	700.0 (27.56)	707.0 (27.83)	27.0 (60.0)	163.0 (6.42)	259.0 (10.20)	451.0 (17.76)	579.0 (22.80)	677.0 (26.65)	163.0 (6.42)	259.0 (10.20)	387.0 (15.24)	—	—	579.0 (22.80)
3306-750	750.0 (29.53)	757.0 (29.80)	22.0 (48.0)	163.0 (6.42)	259.0 (10.20)	355.0 (13.98)	579.0 (22.80)	727.0 (28.62)	163.0 (6.42)	259.0 (10.20)	387.0 (15.24)	—	—	579.0 (22.80)
3306-800	800.0 (31.50)	805.0 (31.69)	18.0 (39.0)	163.0 (6.42)	259.0 (10.20)	355.0 (13.98)	579.0 (22.80)	777.0 (30.59)	163.0 (6.42)	259.0 (10.20)	387.0 (15.24)	579.0 (22.80)	707.0 (27.83)	

King Slide reserves the right to alter specifications of all the products without notice. If the entity is different from the illustration, please refer to the entity.



# 3506

## 3/4 Extension Ball Bearing Slide -Bottom Mount



4

Ball Bearing Slides

### Specifications

- **Length:** 300mm to 650mm (12" to 26")
- **Profile:** 35mm x 10mm
- **Travel:** 3/4 Extension
- **Side Space:** 10mm (+0.5mm-0mm)
- **Height:** 35mm (1.38")
- **Max. Loading:** 25 kg (55 lb)
- **Mount:** Bottom Mount
- **Disconnect:** Lever Disconnect
- **Finish:** Clear Zinc or Black
- **Material:** Cold Rolled Steel

### Packing

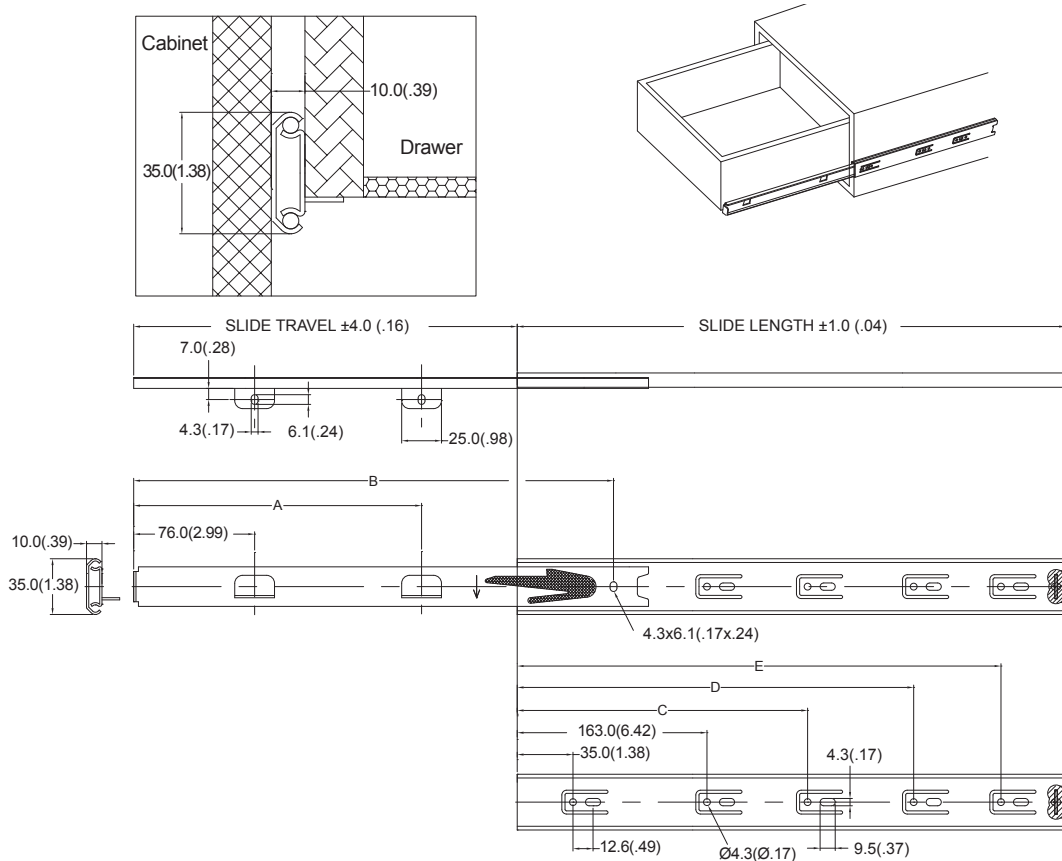
- Unit Packed in 20 pairs/carton
- Bulk Packed in  
40 pcs/carton for cabinet member  
80 pcs/carton for drawer member

### Applications

- Home Cabinets, Box Drawers, Desk and Storage Drawers and File Drawers

### Dimension Specifications

mm (inch)

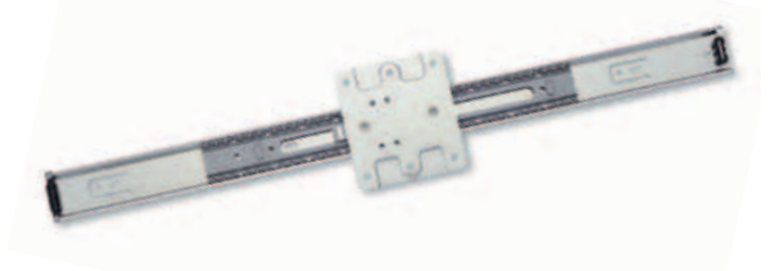


Note: Holes other than those shown may be in the slide member at King Slide's option and may change without notice.

Item No.	Slide Length mm (inch)	Slide Travel mm (inch)	Loading Capacity kg (lb) / pair	Holes Position mm (inch)				
				A	B	C	D	E
3506-300	300.0 (11.81)	200.0 (7.87)	25.0 (55.0)	108.0 (4.25)	277.0 (10.91)	259.0 (10.20)	—	—
3506-350	350.0 (13.78)	250.0 (9.84)	25.0 (55.0)	159.0 (6.26)	327.0 (12.87)	291.0 (11.46)	—	—
3506-400	400.0 (15.75)	300.0 (11.81)	22.0 (50.0)	184.0 (7.24)	377.0 (14.84)	259.0 (10.20)	327.0 (12.87)	—
3506-450	450.0 (17.72)	350.0 (13.78)	22.0 (50.0)	210.0 (8.27)	427.0 (16.81)	259.0 (10.20)	387.0 (15.24)	—
3506-500	500.0 (19.69)	380.0 (14.96)	22.0 (50.0)	260.0 (10.24)	477.0 (18.78)	259.0 (10.20)	419.0 (16.50)	—
3506-550	550.0 (21.65)	420.0 (16.54)	20.0 (45.0)	311.0 (12.24)	527.0 (20.75)	259.0 (10.20)	355.0 (13.98)	483.0 (19.02)
3506-600	600.0 (23.62)	445.0 (17.52)	18.0 (40.0)	362.0 (14.25)	577.0 (22.72)	259.0 (10.20)	387.0 (15.24)	515.0 (20.28)
3506-650	650.0 (25.59)	475.0 (18.70)	18.0 (40.0)	362.0 (14.25)	577.0 (22.72)	259.0 (10.20)	387.0 (15.24)	579.0 (22.80)

King Slide reserves the right to alter specifications of all the products without notice. If the entity is different from the illustration, please refer to the entity.

# 3516 Flipper Door Slide



## Specifications

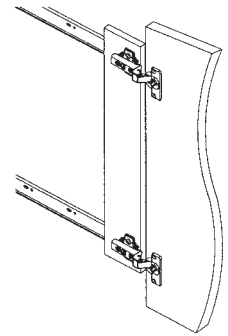
- **Length:** 300mm to 700mm (12" to 28")
- **Profile:** 35mm x 9.7mm
- **Max. Loading Weight:** 7-10 kg
- **Max. Door Height:** 900mm
- **Finish:** Clear Zinc or Black
- **Material:** Cold Rolled Steel

## Packing

- Unit Packed in 10 pairs/carton
- Bulk Packed in  
14 pcs/carton for left member  
14 pcs/carton for right member

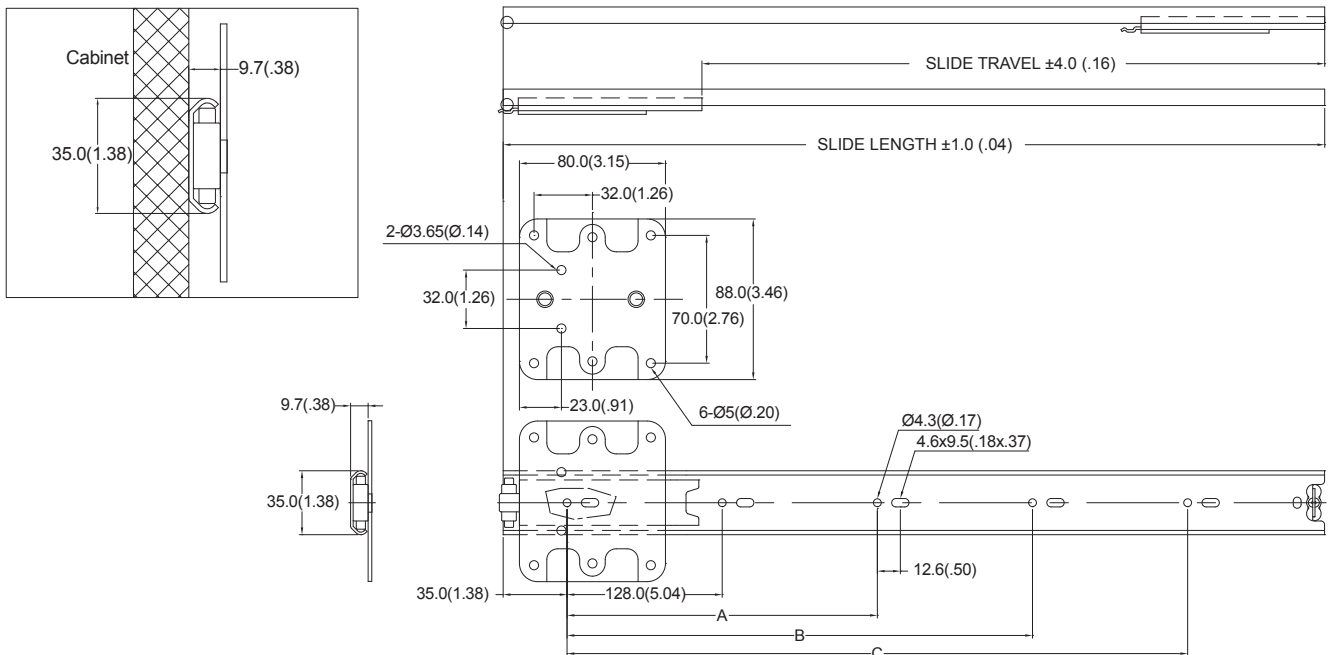
## Applications

- Entertainment Centers, Home and Office Storage Cabinet



## Dimension Specifications

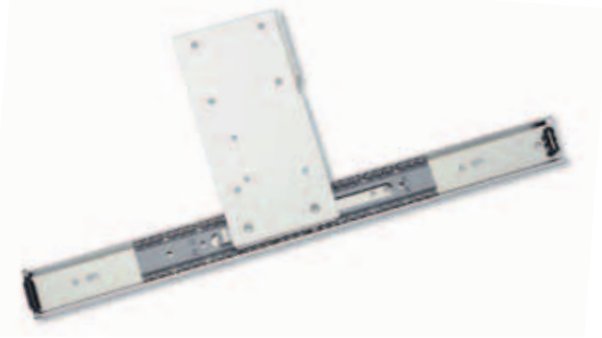
mm (inch)



Note: Holes other than those shown may be in the slide member at King Slide's option and may change without notice.

Item No.	Slide Length mm (inch)	Slide Travel mm (inch)	Holes Position mm (inch)		
			A	B	C
3516-300	300.0 (11.81)	217.0 (8.54)	—	—	224.0 (8.82)
3516-350	350.0 (13.78)	267.0 (10.51)	—	—	256.0 (10.08)
3516-400	400.0 (15.75)	317.0 (12.48)	224.0 (8.82)	—	292.0 (11.50)
3516-450	450.0 (17.72)	342.0 (13.46)	224.0 (8.82)	—	352.0 (13.86)
3516-500	500.0 (19.69)	392.0 (15.43)	224.0 (8.82)	—	384.0 (15.12)
3516-550	550.0 (21.65)	442.0 (17.40)	224.0 (8.82)	320.0 (12.60)	448.0 (17.64)
3516-600	600.0 (23.62)	492.0 (19.37)	224.0 (8.82)	352.0 (13.86)	480.0 (18.90)
3516-700	700.0 (27.56)	592.0 (23.31)	224.0 (8.82)	352.0 (13.86)	544.0 (21.42)

# 3517 Flipper Door Slide -P Type



## Specifications

- **Length:** 300mm to 700mm (12" to 28")
- **Profile:** 35mm x 9.7mm
- **Max. Loading Weight:** 7-13kg
- **Max. Door Height:** 1000mm
- **Finish:** Clear Zinc or Black
- **Material:** Cold Rolled Steel

## Packing

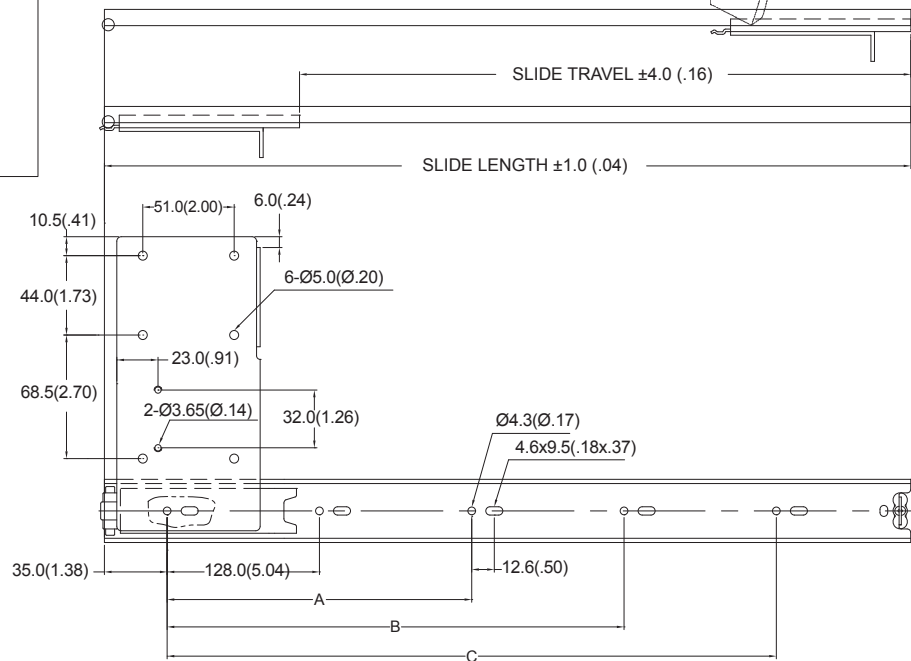
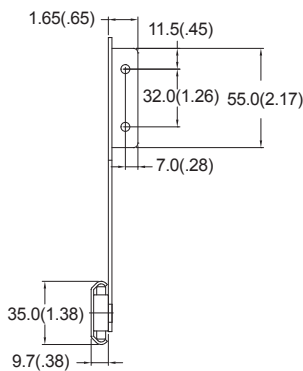
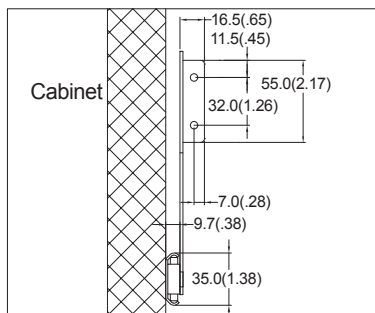
- Unit Packed in 10 pairs/ carton
- Bulk Packed in  
14 pcs/carton for left member  
14 pcs/carton for right member

## Applications

- Entertainment Centers, Home and Office Storage Cabinet

## Dimension Specifications

mm (inch)



Note: Holes other than those shown may be in the slide member at King Slide's option and may change without notice.

Item No.	Slide Length mm (inch)	Slide Travel mm (inch)	Holes Position mm (inch)		
			A	B	C
3517-300	300.0 (11.81)	217.0 (8.54)	—	—	224.0 (8.82)
3517-350	350.0 (13.78)	267.0 (10.51)	—	—	256.0 (10.08)
3517-400	400.0 (15.75)	317.0 (12.48)	224.0 (8.82)	—	292.0 (11.50)
3517-450	450.0 (17.72)	342.0 (13.46)	224.0 (8.82)	—	352.0 (13.86)
3517-500	500.0 (19.69)	392.0 (15.43)	224.0 (8.82)	—	384.0 (15.12)
3517-550	550.0 (21.65)	442.0 (17.40)	224.0 (8.82)	320.0 (12.60)	448.0 (17.64)
3517-600	600.0 (23.62)	492.0 (19.37)	224.0 (8.82)	352.0 (13.86)	480.0 (18.90)
3517-700	700.0 (27.56)	592.0 (23.31)	224.0 (8.82)	352.0 (13.86)	544.0 (21.42)

# 3J01 Full Extension Ball Bearing Slide -Standard Type



## Specifications

- **Length:** 250mm to 650mm (10" to 26")
- **Profile:** 37.2mm x 12.7mm
- **Travel:** Full Extension
- **Side Space:** 12.7mm (+0.5mm-0mm)
- **Height:** 37.2mm (1.46")
- **Max. Loading:** 34 kg (75 lb)
- **Mount:** Side Mount
- **Disconnect:** Clip Disconnect
- **Finish:** Clear Zinc or Black
- **Material:** Cold Rolled Steel

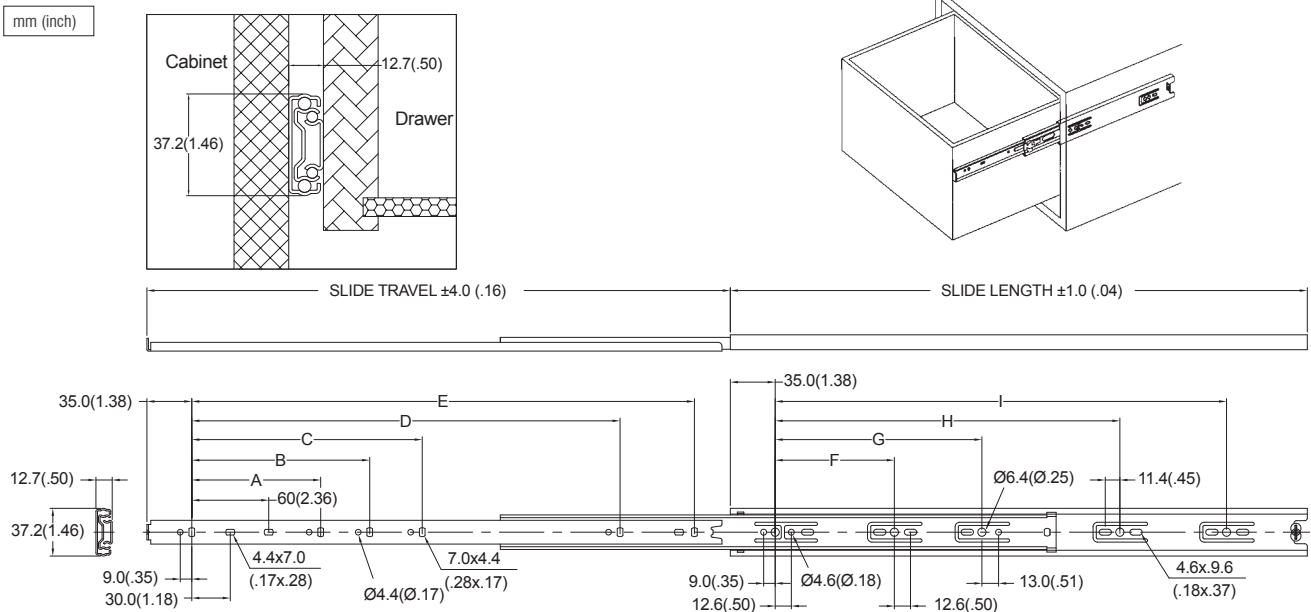
## Packing

- Unit Packed in 16 pairs/carton
- Bulk Packed in 40 pcs/carton for cabinet member 100 pcs/carton for drawer member

## Applications

- Home Cabinets, Box Drawers, Desk and Storage Drawers and File Drawers

## Dimension Specifications



Note: Holes other than those shown may be in the slide member at King Slide's option and may change without notice.

Item No.	Slide Length mm (inch)	Slide Travel mm (inch)	Loading Capacity kg (lb) / pair	Holes Position mm (inch)								
				A	B	C	D	E	F	G	H	I
3J01-250	250.0 (9.84)	255.0 (10.04)	17.5 (38.0)	—	—	—	—	192.0 (7.56)	160.0 (6.30)	—	—	—
3J01-300	300.0 (11.81)	313.0 (12.32)	20.7 (45.0)	128.0 (5.04)	—	—	—	242.0 (9.53)	128.0 (5.04)	224.0 (8.82)	—	—
3J01-350	350.0 (13.78)	363.0 (14.30)	25.7 (56.0)	128.0 (5.04)	—	—	—	292.0 (11.50)	128.0 (5.04)	224.0 (8.82)	—	—
3J01-400	400.0 (15.75)	405.0 (15.94)	34.5 (75.0)	128.0 (5.04)	—	320.0 (12.60)	—	342.0 (13.46)	128.0 (5.04)	224.0 (8.82)	320.0 (12.60)	—
3J01-450	450.0 (17.72)	455.0 (17.91)	34.5 (75.0)	128.0 (5.04)	—	320.0 (12.60)	—	392.0 (15.43)	128.0 (5.04)	224.0 (8.82)	352.0 (13.86)	—
3J01-500	500.0 (19.69)	505.0 (19.88)	34.5 (75.0)	128.0 (5.04)	—	320.0 (12.60)	416.0 (16.38)	442.0 (17.40)	128.0 (5.04)	224.0 (8.82)	416.0 (16.38)	—
3J01-550	550.0 (21.65)	555.0 (21.85)	34.5 (75.0)	128.0 (5.04)	—	320.0 (12.60)	416.0 (16.38)	492.0 (19.37)	128.0 (5.04)	224.0 (8.82)	352.0 (13.86)	448.0 (17.64)
3J01-600	600.0 (23.62)	605.0 (23.82)	29.5 (64.0)	128.0 (5.04)	224.0 (8.82)	416.0 (16.38)	—	542.0 (21.34)	128.0 (5.04)	224.0 (8.82)	352.0 (13.86)	480.0 (18.90)
3J01-650	650.0 (25.59)	655.0 (25.79)	24.4 (53.0)	128.0 (5.04)	224.0 (8.82)	416.0 (16.38)	544.0 (21.42)	592.0 (23.31)	128.0 (5.04)	224.0 (8.82)	352.0 (13.86)	544.0 (21.42)

# 3J01A

Ball Bearing Slide with Toolless Adjustable Detent Pulling Force



## Specifications

- **Length:** 250mm to 700mm (9.8" to 27.5")
- **Profile:** 37mm x 12.7mm
- **Travel:** Full Extension
- **Side Space:** 12.7mm (+0.5mm-0mm)
- **Height:** 37.2mm (1.46")
- **Max. Loading:** 34.5 kg (75 lb)/pair
- **Mount:** Side Mount
- **Disconnect:** Clip Disconnect
- **Finish:** Clear Zinc or Black
- **Material:** Cold Rolled Steel
- **Features:** Toolless Adjustable Detent Pulling Force

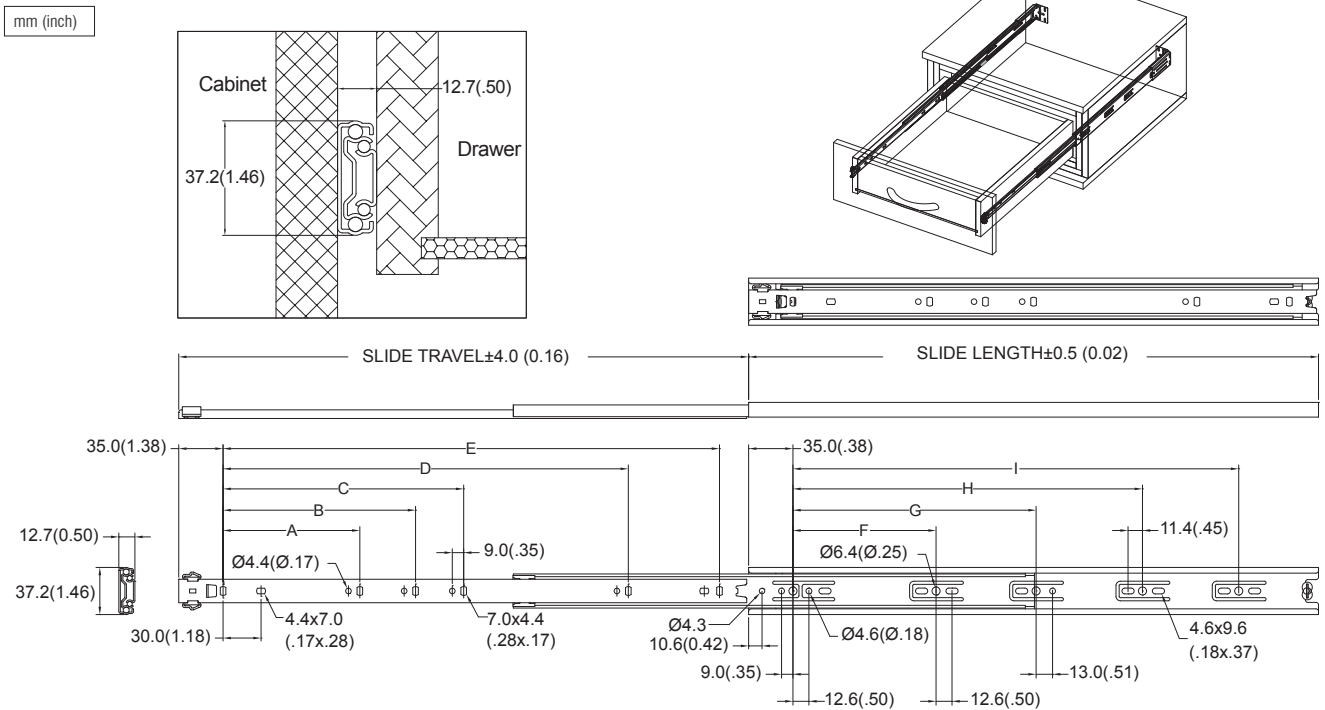
## Packing

- Unit Packed in 16 pairs/carton
- Bulk Packed in 40 pcs/carton for cabinet member 100 pcs/carton for drawer member

## Applications

- For Face Frame or Frameless Cabinet: Recreational Vehicle, Yacht Furniture, Medical Equipment, Office Furniture and Box Drawers

## Dimension Specifications



Note: Holes other than those shown may be in the slide member at King Slide's option and may change without notice.

Item No.	Slide Length mm (inch)	Slide Travel mm (inch)	Loading Capacity kg (lb) / pair	Holes Position mm (inch)								
				A	B	C	D	E	F	G	H	I
3J01A250	250.0 (9.84)	230.0 (9.06)	17.5 (38.0)	—	—	—	—	192.0 (7.56)	160.0 (6.30)	—	—	—
3J01A300	300.0 (11.81)	300.0 (11.81)	20.7 (45.0)	128.0 (5.04)	—	—	—	242.0 (9.53)	128.0 (5.04)	224.0 (8.82)	—	—
3J01A350	350.0 (13.78)	350.0 (13.78)	25.7 (56.0)	128.0 (5.04)	—	—	—	292.0 (11.50)	128.0 (5.04)	224.0 (8.82)	—	—
3J01A400	400.0 (15.75)	400.0 (15.75)	34.5 (75.0)	128.0 (5.04)	—	320.0 (12.60)	—	342.0 (13.46)	128.0 (5.04)	224.0 (8.82)	320.0 (12.60)	—
3J01A450	450.0 (17.72)	450.0 (17.72)	34.5 (75.0)	128.0 (5.04)	—	320.0 (12.60)	—	392.0 (15.43)	128.0 (5.04)	224.0 (8.82)	352.0 (13.86)	—
3J01A500	500.0 (19.69)	500.0 (19.69)	34.5 (75.0)	128.0 (5.04)	—	320.0 (12.60)	416.0 (16.38)	442.0 (17.40)	128.0 (5.04)	224.0 (8.82)	416.0 (16.38)	—
3J01A550	550.0 (21.65)	550.0 (21.65)	34.5 (75.0)	128.0 (5.04)	224.0 (8.82)	—	416.0 (16.38)	492.0 (19.37)	128.0 (5.04)	224.0 (8.82)	352.0 (13.86)	448.0 (17.64)
3J01A600	600.0 (23.62)	600.0 (23.62)	29.5 (64.0)	128.0 (5.04)	224.0 (8.82)	416.0 (16.38)	—	542.0 (21.34)	128.0 (5.04)	224.0 (8.82)	352.0 (13.86)	480.0 (18.90)
3J01A650	650.0 (25.59)	650.0 (25.59)	24.4 (53.0)	128.0 (5.04)	224.0 (8.82)	416.0 (16.38)	544.0 (21.42)	592.0 (23.31)	128.0 (5.04)	224.0 (8.82)	352.0 (13.86)	544.0 (21.42)
3J01A700	700.0 (27.56)	700.0 (27.56)	23.0 (50.0)	128.0 (5.04)	224.0 (8.82)	416.0 (16.38)	544.0 (21.42)	642.0 (25.28)	128.0 (5.04)	224.0 (8.82)	352.0 (13.86)	544.0 (21.42)

# 3J01B Ball Bearing Slide with 10 lbs Detent Force



## Specifications

- **Length:** 250mm to 700mm (9.8" to 27.5")
- **Profile:** 37mm x 12.7mm
- **Travel:** Full Extension
- **Side Space:** 12.7mm (+0.5mm-0mm)
- **Height:** 37.2mm (1.46")
- **Max. Loading:** 34.5 kg (75 lb)/pair
- **Mount:** Side Mount
- **Disconnect:** Clip Disconnect
- **Finish:** Clear Zinc or Black
- **Material:** Cold Rolled Steel
- **Features:** Enhanced detent pulling force to prevent drawer sliding out in vibrational environment

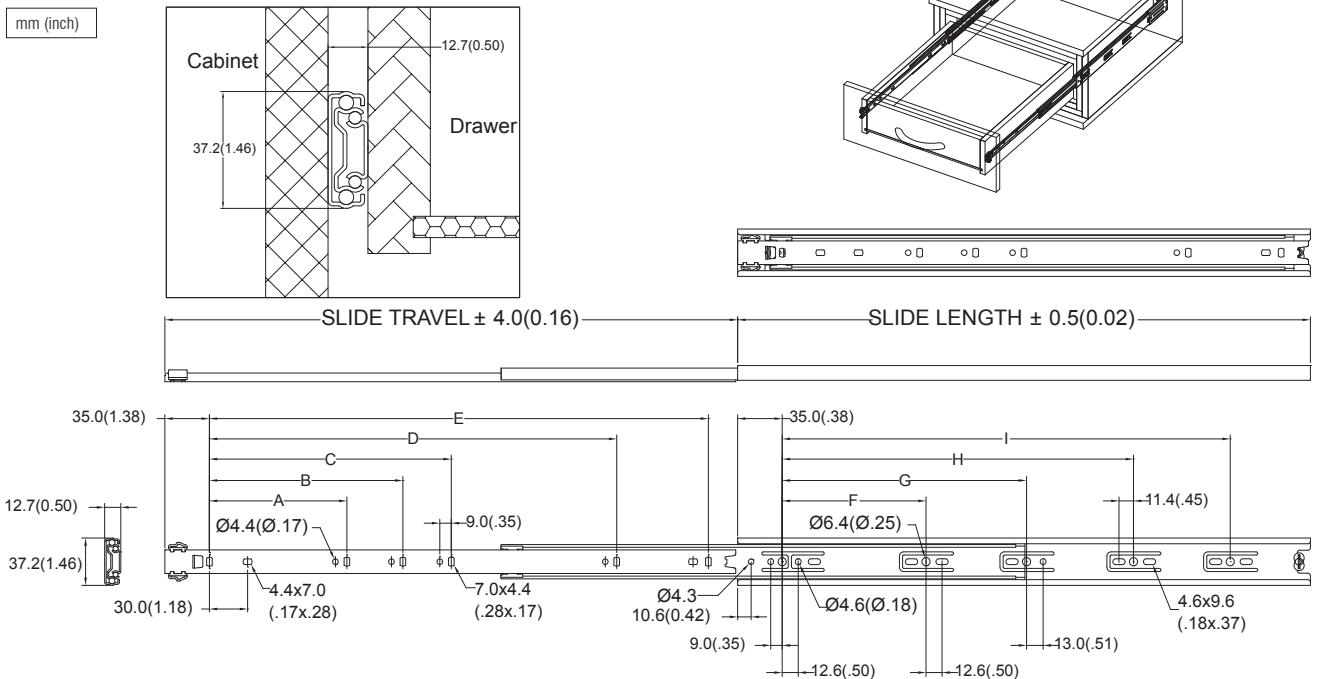
## Packing

- Unit Packed in 16 pairs/carton
- Bulk Packed in 40 pcs/carton for cabinet member 100 pcs/carton for drawer member

## Applications

- For Face Frame or Frameless Cabinet: Recreational Vehicle, Yacht Furniture, Medical Equipment, Office Furniture and Box Drawers

## Dimension Specifications



Note: Holes other than those shown may be in the slide member at King Slide's option and may change without notice.

Item No.	Slide Length mm (inch)	Slide Travel mm (inch)	Loading Capacity kg (lb) / pair	Holes Position mm (inch)								
				A	B	C	D	E	F	G	H	I
3J01B250	250.0 (9.84)	230.0 (9.06)	17.5 (38.0)	—	—	—	—	192.0 (7.56)	160.0 (6.30)	—	—	—
3J01B300	300.0 (11.81)	300.0 (11.81)	20.7 (45.0)	128.0 (5.04)	—	—	—	242.0 (9.53)	128.0 (5.04)	224.0 (8.82)	—	—
3J01B350	350.0 (13.78)	350.0 (13.78)	25.7 (56.0)	128.0 (5.04)	—	—	—	292.0 (11.50)	128.0 (5.04)	224.0 (8.82)	—	—
3J01B400	400.0 (15.75)	400.0 (15.75)	34.5 (75.0)	128.0 (5.04)	—	320.0 (12.60)	—	342.0 (13.46)	128.0 (5.04)	224.0 (8.82)	320.0 (12.60)	—
3J01B450	450.0 (17.72)	450.0 (17.72)	34.5 (75.0)	128.0 (5.04)	—	320.0 (12.60)	—	392.0 (15.43)	128.0 (5.04)	224.0 (8.82)	352.0 (13.86)	—
3J01B500	500.0 (19.69)	500.0 (19.69)	34.5 (75.0)	128.0 (5.04)	—	320.0 (12.60)	416.0 (16.38)	442.0 (17.40)	128.0 (5.04)	224.0 (8.82)	416.0 (16.38)	—
3J01B550	550.0 (21.65)	550.0 (21.65)	34.5 (75.0)	128.0 (5.04)	224.0 (8.82)	—	416.0 (16.38)	492.0 (19.37)	128.0 (5.04)	224.0 (8.82)	352.0 (13.86)	448.0 (17.64)
3J01B600	600.0 (23.62)	600.0 (23.62)	29.5 (64.0)	128.0 (5.04)	224.0 (8.82)	416.0 (16.38)	—	542.0 (21.34)	128.0 (5.04)	224.0 (8.82)	352.0 (13.86)	480.0 (18.90)
3J01B650	650.0 (25.59)	650.0 (25.59)	24.4 (53.0)	128.0 (5.04)	224.0 (8.82)	416.0 (16.38)	544.0 (21.42)	592.0 (23.31)	128.0 (5.04)	224.0 (8.82)	352.0 (13.86)	544.0 (21.42)
3J01B700	700.0 (27.56)	700.0 (27.56)	23.0 (50.0)	128.0 (5.04)	224.0 (8.82)	416.0 (16.38)	544.0 (21.42)	642.0 (25.28)	128.0 (5.04)	224.0 (8.82)	352.0 (13.86)	544.0 (21.42)

King Slide reserves the right to alter specifications of all the products without notice. If the entity is different from the illustration, please refer to the entity.

# 3M71 Full Extension Ball Bearing Slide -Lock-Out



## Specifications

- **Length:** 250mm to 800mm (10" to 32")
- **Profile:** 45.6mm x 12.7mm
- **Travel:** Full Extension
- **Side Space:** 12.7mm (+0.5mm-0mm)
- **Height:** 45.6mm (1.80")
- **Max. Loading:** 45 kg (100 lb)
- **Mount:** Side Mount
- **Disconnect:** Clip Disconnect
- **Finish:** Clear Zinc or Black
- **Material:** Cold Rolled Steel
- **Features:** Lock-Out

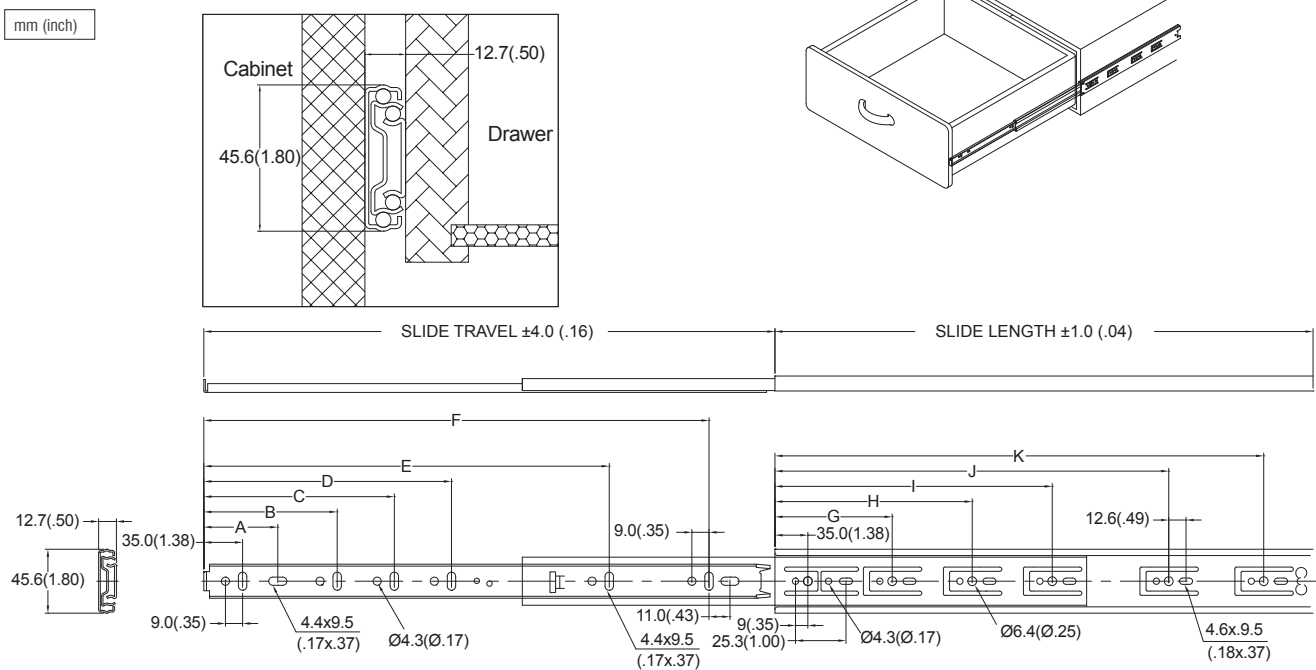
## Packing

- Unit Packed in 15 pairs/carton
- Bulk Packed in 40 pcs/carton for cabinet member 100 pcs/carton for drawer member

## Applications

- Home Cabinets, Box Drawers, Desk and Storage Drawers and File Drawers

## Dimension Specifications



Note: Holes other than those shown may be in the slide member at King Slide's option and may change without notice.

Item No.	Slide Length mm (inch)	Slide Travel mm (inch)	Loading Capacity kg (lb) / pair	Holes Position mm (inch)											
				A	B	C	D	E	F	G	H	I	J	K	
3M71-250	250.0 (9.84)	256.7 (10.11)	23 (50.0)	65.0 (2.56)	131.0 (5.16)	—	—	—	216.0 (8.50)	195.0 (7.67)	—	—	—	—	
3M71-300	300.0 (11.81)	306.7 (12.07)	27 (60.0)	65.0 (2.56)	163.0 (6.42)	—	—	—	255.0 (10.04)	163.0 (6.42)	259.0 (10.20)	—	—	—	
3M71-350	350.0 (13.78)	356.7 (14.04)	34 (75.0)	65.0 (2.56)	163.0 (6.42)	—	—	—	305.0 (12.00)	163.0 (6.42)	259.0 (10.20)	—	—	—	
3M71-400	400.0 (15.75)	406.7 (16.01)	45 (100.0)	65.0 (2.56)	163.0 (6.42)	—	—	—	355.0 (13.98)	163.0 (6.42)	259.0 (10.20)	—	—	355.0 (13.98)	
3M71-450	450.0 (17.72)	456.7 (17.98)	45 (100.0)	65.0 (2.56)	163.0 (6.42)	355.0 (13.98)	—	—	405.0 (15.94)	163.0 (6.42)	259.0 (10.20)	—	—	387.0 (15.23)	
3M71-500	500.0 (19.69)	506.7 (19.95)	45 (100.0)	65.0 (2.56)	163.0 (6.42)	259.0 (10.20)	355.0 (13.98)	—	455.0 (17.91)	163.0 (6.42)	259.0 (10.20)	—	—	451.0 (17.75)	
3M71-550	550.0 (21.65)	556.7 (21.92)	45 (100.0)	65.0 (2.56)	163.0 (6.42)	259.0 (10.20)	451.0 (17.75)	—	505.0 (19.88)	163.0 (6.42)	259.0 (10.20)	387.0 (15.24)	—	483.0 (19.01)	
3M71-600	600.0 (23.62)	606.7 (23.89)	39 (85.0)	65.0 (2.56)	163.0 (6.42)	259.0 (10.20)	451.0 (17.75)	—	555.0 (21.85)	163.0 (6.42)	259.0 (10.20)	387.0 (15.24)	—	515.0 (20.28)	
3M71-650	650.0 (25.59)	656.7 (25.85)	32 (70.0)	65.0 (2.56)	163.0 (6.42)	259.0 (10.20)	451.0 (17.75)	579.0 (22.80)	605.0 (23.82)	163.0 (6.42)	259.0 (10.20)	387.0 (15.24)	—	579.0 (22.79)	
3M71-700	700.0 (27.56)	706.7 (27.82)	27 (60.0)	65.0 (2.56)	163.0 (6.42)	259.0 (10.20)	451.0 (17.75)	579.0 (22.80)	655.0 (25.79)	163.0 (6.42)	259.0 (10.20)	387.0 (15.24)	—	579.0 (22.79)	
3M71-750	750.0 (29.53)	756.7 (29.79)	22 (48.0)	65.0 (2.56)	163.0 (6.42)	259.0 (10.20)	355.0 (13.98)	579.0 (22.80)	705.0 (27.76)	163.0 (6.42)	259.0 (10.20)	387.0 (15.24)	—	579.0 (22.79)	
3M71-800	800.0 (31.50)	806.7 (31.76)	18 (39.0)	64.8 (2.55)	163.0 (6.42)	259.0 (10.20)	355.0 (13.98)	579.0 (22.80)	755.0 (29.72)	163.0 (6.42)	259.0 (10.20)	387.0 (15.24)	579.0 (22.80)	707.0 (27.83)	

# AD01 Heavy Duty Slide -Standard Type



## Specifications

- **Length:** 250mm to 1000mm (10" to 39")
- **Profile:** 53mm x 19.1mm
- **Travel:** Full Extension
- **Side Space:** 19mm (+0.5mm-0mm)
- **Height:** 53mm (2.09")
- **Max. Loading:** 90 kg (200 lb)
- **Mount:** Side Mount
- **Disconnect:** Clip Disconnect
- **Finish:** Clear Zinc or Black
- **Material:** Cold Rolled Steel

## Packing

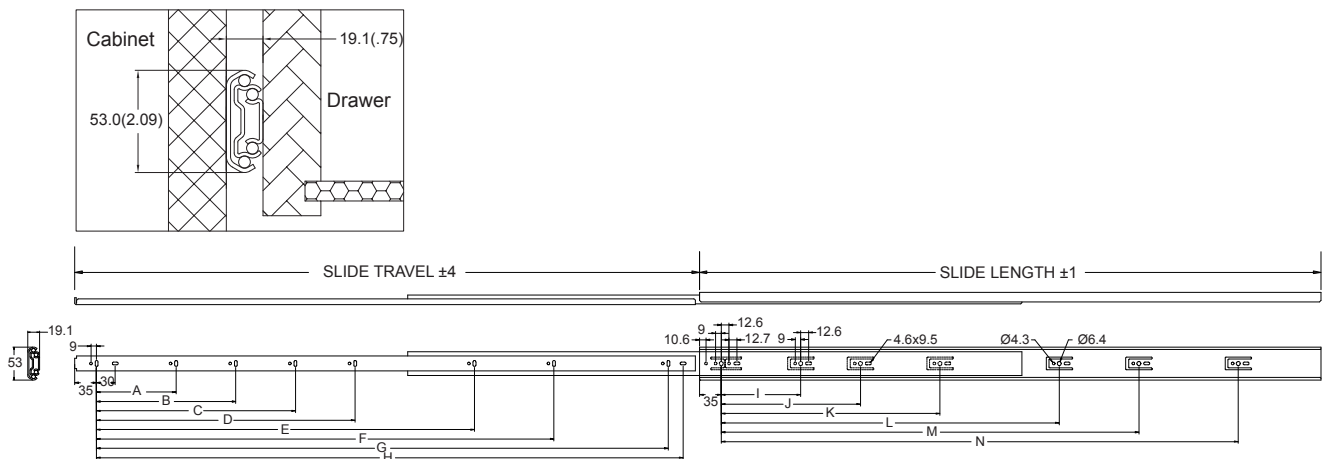
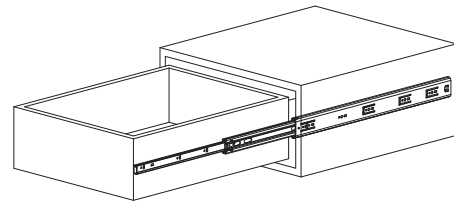
- Unit Packed in 6 pairs/carton

## Applications

- Wide Lateral File Drawers, Large Storage Drawers and Toolbox

## Dimension Specifications

mm (inch)



Note: Holes other than those shown may be in the slide member at King Slide's option and may change without notice.

Item No.	Slide Length mm (inch)	Slide Travel mm (inch)	Loading Capacity kg (lb) / pair	Holes Position mm (inch)													
				A	B	C	D	E	F	G	H	I	J	K	L	M	N
AD01-250	250.0 (9.84)	256 (10.07)	46 (100.0)	96 (3.77)	—	—	—	—	—	—	—	181 (7.12)	160 (6.33)	—	—	—	—
AD01-300	300.0 (11.81)	306 (12.04)	54 (120.0)	128 (5.04)	220 (8.66)	—	—	—	—	—	—	—	192 (7.55)	—	—	—	—
AD01-350	350.0 (13.78)	356 (14.01)	68 (150.0)	128 (5.04)	270 (10.63)	—	—	—	—	—	—	—	224 (8.81)	—	—	—	—
AD01-400	400.0 (15.75)	406 (15.98)	80 (180.0)	128 (5.04)	320 (12.60)	—	—	—	—	—	—	—	224 (8.81)	320 (12.59)	—	—	—
AD01-450	450.0 (17.72)	456 (17.95)	90 (200.0)	128 (5.04)	320 (12.60)	370 (14.56)	—	—	—	—	—	—	224 (8.81)	352 (13.85)	—	—	—
AD01-500	500.0 (19.69)	506 (19.92)	90 (200.0)	128 (5.04)	224 (8.82)	320 (12.60)	416 (16.38)	—	—	—	—	—	128 (5.03)	256 (10.07)	416 (16.37)	—	—
AD01-550	550.0 (21.65)	556 (21.88)	90 (200.0)	128 (5.04)	224 (8.82)	416 (16.38)	470 (18.50)	—	—	—	—	—	128 (5.03)	352 (13.85)	448 (17.63)	—	—
AD01-600	600.0 (23.62)	606 (23.85)	90 (200.0)	128 (5.04)	224 (8.82)	416 (16.38)	520 (20.47)	—	—	—	—	—	128 (5.03)	352 (13.85)	480 (18.89)	—	—
AD01-650	650.0 (25.59)	656 (25.85)	90 (200.0)	128 (5.04)	224 (8.82)	416 (16.38)	544 (21.42)	570 (22.44)	—	—	—	—	128 (5.03)	352 (13.85)	544 (21.41)	—	—
AD01-700	700.0 (27.55)	706 (27.79)	90 (200.0)	128 (5.04)	224 (8.82)	416 (16.38)	544 (21.42)	620 (24.41)	—	—	—	—	128 (5.03)	224 (8.81)	352 (13.85)	544 (21.41)	—
AD01-750	750.0 (29.52)	756 (29.76)	90 (200.0)	128 (5.04)	224 (8.82)	320 (12.60)	544 (21.42)	670 (26.38)	—	—	—	—	128 (5.03)	224 (8.81)	384 (15.11)	544 (21.41)	—
AD01-800	800.0 (31.49)	812 (31.96)	90 (200.0)	128 (5.04)	224 (8.82)	320 (12.60)	544 (21.42)	720 (28.35)	—	—	—	—	128 (5.03)	224 (8.81)	416 (16.37)	544 (21.41)	672 (26.45)
AD01-850	850.0 (33.46)	861 (33.89)	90 (200.0)	128 (5.04)	224 (8.82)	320 (12.60)	416 (16.37)	544 (21.41)	672 (26.45)	770 (30.31)	—	—	128 (5.03)	224 (8.81)	448 (17.63)	576 (22.67)	704 (27.71)
AD01-900	900.0 (35.43)	911 (35.86)	90 (200.0)	128 (5.04)	224 (8.82)	320 (12.60)	416 (16.37)	544 (21.41)	736 (28.97)	820 (32.28)	—	—	128 (5.03)	224 (8.81)	480 (18.89)	576 (22.67)	736 (28.97)
AD01-950	950.0 (37.40)	961 (37.83)	90 (200.0)	128 (5.04)	224 (8.82)	320 (12.60)	416 (16.37)	608 (23.93)	736 (28.97)	870 (34.25)	—	—	128 (5.03)	224 (8.81)	352 (13.85)	544 (21.41)	672 (26.45)
AD01-1000	1000.0 (39.37)	1011 (39.80)	90 (200.0)	128 (5.04)	224 (8.82)	320 (12.60)	416 (16.37)	608 (23.93)	736 (28.97)	920 (36.22)	—	—	128 (5.03)	224 (8.81)	352 (13.85)	544 (21.41)	672 (26.45)



# AE01 Heavy Duty Slide -Standard Type



## Specifications

- **Length:** 250mm to 1000mm (10" to 39")
- **Profile:** 54mm x 12.7mm
- **Travel:** Full Extension
- **Side Space:** 12.7mm (+0.5mm-0mm)
- **Height:** 54mm (2.13")
- **Max. Loading:** 68 kg (150 lb)
- **Mount:** Side Mount
- **Disconnect:** Lever Disconnect
- **Finish:** Clear Zinc or Black
- **Material:** Cold Rolled Steel

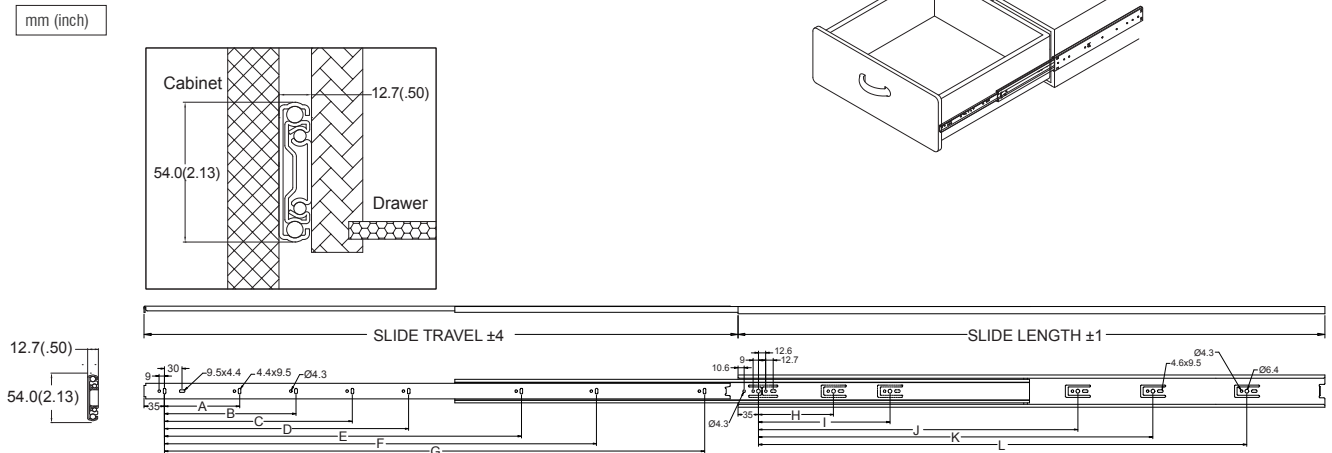
## Packing

- Unit Packed in 12 pairs/carton
- Bulk Packed in 30 pcs/carton for cabinet member 100pcs/carton for drawer member

## Applications

- Wide Lateral File Drawers, Large Storage Drawers and Toolbox

## Dimension Specifications



Note: Holes other than those shown may be in the slide member at King Slide's option and may change without notice.

Item No.	Slide Length mm (inch)	Slide Travel mm (inch)	Loading Capacity kg (lb) / pair	Holes Position mm (inch)											
				A	B	C	D	E	F	G	H	I	J	K	L
AE01-250	250 (9.84)	240 (9.45)	46 (100)	181 (7.12)	—	—	—	—	—	—	—	160 (6.29)	—	—	—
AE01-300	300 (11.81)	307 (12.08)	54.5 (120)	96 (3.77)	220 (8.66)	—	—	—	—	—	—	128 (5.03)	224 (8.81)	—	—
AE01-350	350 (13.78)	357 (14.05)	54.5 (120)	128 (5.03)	238 (9.37)	—	—	—	—	—	—	160 (6.29)	224 (8.81)	—	—
AE01-400	400 (15.75)	407 (16.02)	63.6 (140)	128 (5.03)	320 (12.59)	—	—	—	—	—	—	224 (8.81)	320 (12.59)	—	—
AE01-450	450 (17.72)	457 (17.99)	68.0 (150)	128 (5.03)	320 (12.59)	370 (14.56)	—	—	—	—	—	224 (8.81)	352 (13.85)	—	—
AE01-500	500 (19.69)	511 (20.11)	68.0 (150)	128 (5.03)	224 (8.81)	320 (12.59)	416 (16.37)	—	—	—	—	224 (8.81)	416 (16.37)	—	—
AE01-550	550 (21.65)	557 (21.92)	68.0 (150)	128 (5.03)	224 (8.81)	416 (16.37)	470 (18.50)	—	—	—	—	256 (10.07)	352 (13.85)	448 (17.63)	—
AE01-600	600 (23.62)	607 (23.89)	68.0 (150)	128(5.03)	224 (8.81)	416 (16.37)	520 (20.47)	—	—	—	—	128 (5.03)	352 (13.85)	480 (18.89)	—
AE01-650	650 (25.59)	657 (25.86)	68.0 (150)	128 (5.03)	224 (8.81)	416 (16.37)	576 (22.67)	—	—	—	—	128 (5.03)	352 (13.85)	544 (21.41)	—
AE01-700	700 (27.56)	707 (27.83)	68.0 (150)	128 (5.03)	224 (8.81)	416 (16.37)	544 (21.41)	620 (24.40)	—	—	—	128 (5.03)	352 (13.85)	544 (21.41)	—
AE01-750	750 (29.52)	757 (29.80)	68.0 (150)	128 (5.03)	224 (8.81)	320 (12.59)	544 (21.41)	670 (26.37)	—	—	—	128 (5.03)	352 (13.85)	544 (21.41)	672 (26.45)
AE01-800	800 (31.49)	812 (31.96)	68.0 (150)	128 (5.03)	224 (8.81)	320 (12.59)	544 (21.41)	720 (28.34)	—	—	—	128 (5.03)	224 (8.81)	384 (15.11)	544 (21.41)
AE01-850	850 (33.46)	862 (33.93)	68.0 (150)	128 (5.03)	224 (8.81)	320 (12.59)	544 (21.41)	672 (26.45)	768 (30.23)	—	—	128 (5.03)	224 (8.81)	448 (17.63)	576 (22.67)
AE01-900	900 (35.43)	912 (35.90)	68.0 (150)	128 (5.03)	224 (8.81)	320 (12.59)	416 (16.37)	544 (21.41)	736 (28.97)	820 (32.28)	—	128 (5.03)	224 (8.81)	448 (17.63)	576 (22.67)
AE01-950	950 (37.40)	962 (37.87)	68.0 (150)	128 (5.03)	224 (8.81)	320 (12.59)	416 (16.37)	608 (23.93)	736 (28.97)	870 (34.25)	—	128 (5.03)	224 (8.81)	512 (20.15)	672 (26.45)
AE01-1000	1000 (39.37)	1012 (39.84)	68.0 (150)	128 (5.03)	224 (8.81)	320 (12.59)	416 (16.37)	608 (23.93)	736 (28.97)	920 (36.22)	—	128 (5.03)	224 (8.81)	544 (21.41)	672 (26.45)