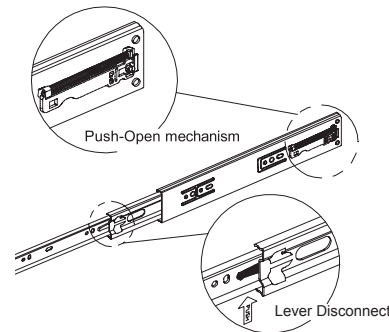


Features

- Push-Open, Handle-Free
- Dual design allows for traditional pull open preventing damages caused by improper installation and usage
- Ultra smooth with high rigidity and stability design



Installation Instruction

1. Press the lever disconnect to separate slide members. (Fig.1)
 2. Install the cabinet members as indicated in Fig2. Make sure both cabinet members are vertically and horizontally parallel.
 3. Install the drawer members as indicated in Fig3. Make sure both drawer members are vertically and horizontally parallel.
 4. Insert drawer members into cabinet members as indicated in Fig4. and push the drawer until it is closed.
- *If sound damper is to be used, a distance of 5mm must be reserved for push-open actuation.
- *The center of front panel is suggested as the best push-open point

Fig. 1

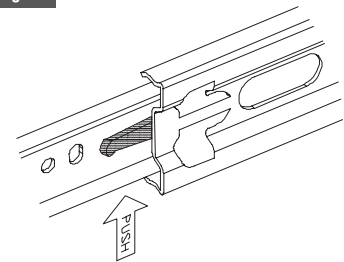


Fig. 2 Lateral Side

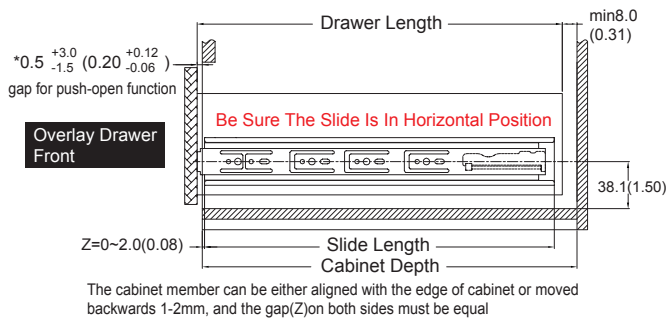


Fig. 3

Drawer member working drawing

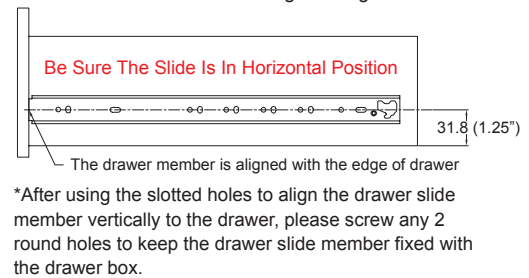


Fig. 4

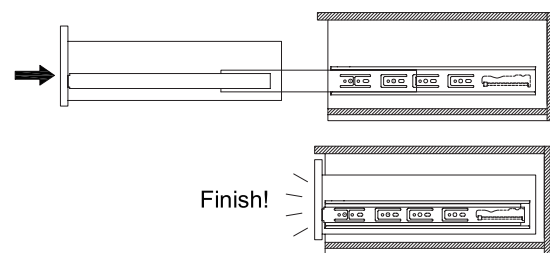


Fig. 5

WARNING

When install the drawer into the cabinet, please make sure the drawer member insert to the ball retainer completely. (Fig.5)

